



SUNPOWER TECHNOLOGY CORP.  
 16F-1, No.150, Jian 1st Rd., Zhonghe Dist., New Taipei City 235, Taiwan (R.O.C.)  
 TEL: 886-2-8226-3100 FAX: 886-2-8226-3111  
 http://www.sunpower.com.tw  
 E-mail: sunpower@sunpower.com.tw

# SRU-150-xx Series

Single Output

U Bracket Power Supply



133.4 x 82 x 38 mm  
 5.25 x 3.23 x 1.50 inch



## Features:

- \* Built-in EMI filter, low ripple noise
- \* Built-in fan base for additional 12V/0.3A DC FAN
- \* Over voltage protection
- \* Over load & short circuit protection
- \* Output voltage  $\pm 10\%$  adjustment
- \* <70% load free air convection
- \* 100% full load burn-in test
- \* UL, cUL, CB, CE approved
- \* 3 years warranty

## Specification:

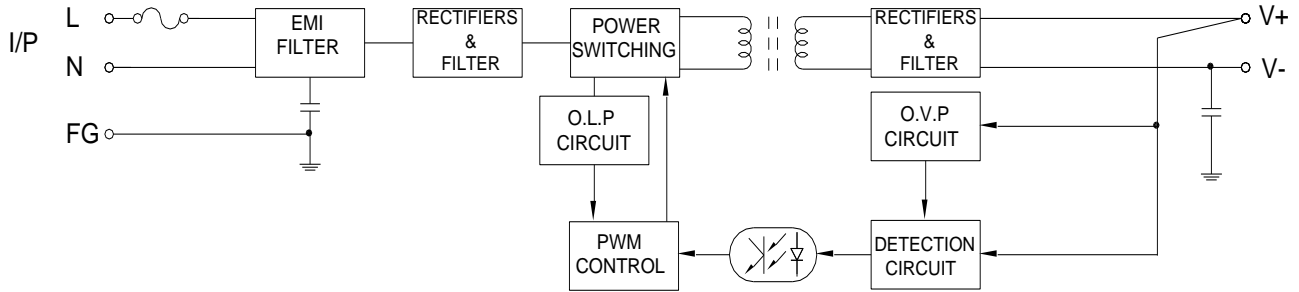
INPUT	Voltage	85V ~ 264VAC universal full range or 120V ~ 375VDC.		
	Frequency	47 ---- 63 Hz		
	Current	<4.0A @100V AC input, full load condition		
	Inrush Current (TYP)	35A@115V , 70A@230V AC input. Cold start at 25°C ambient		
	Leakage Current	<1.5mA@264V AC input		
OUTPUT	MODEL No.	SRU-150-12	SRU-150-24	SRU-150-48
	Voltage	12V	24V	48V
	Rated Load	0 ~ 12.5A	0 ~ 6.3A	0 ~ 3.2A
	Output Tolerance ②	$\pm 1\%$	$\pm 1\%$	$\pm 1\%$
	Ripple Noise MAX. ③	120mV	200mV	250mV
	Efficiency (TYP.)	88%	87%	89%
	Output MAX.	150W	151W	153W
PROTECTION	Over Voltage	13.8 ~ 16.8V	27.6 ~ 33.6V	55.2 ~ 67.2V
	Over Load & Short Circuit	Shutdown and latch off, recover after re-start up. When power supply over 105%~ 150% max load or short circuit acted, power supply will go into hiccup mode and recover automatically after the fault is removed.		
ELEC. CHAR.	Rise time	<30mS		
	Hold up time	>30mS@230V, full load condition		
	Setup time	<0.5S@100 ~ 240V AC		
ENVIRONMENT	Temperature ④	Operating: -20 ~ +70°C ; De-rating: 45 ~ 70°C: 2.5%/°C ; Storage: -40 ~ +85°C		
	Humidity	Operating: 20% ~ 90% RH (non condensing) ; Storage: 10% ~ 95% RH (non condensing)		
SAFETY	Withstand voltage	I/P-O/P:3KVAC, I/P-FG:1.8KVAC, O/P-FG:0.5KVAC, 1minute		
	Isolation resistance	I/P-O/P, I/P-FG, O/P-FG > 100MΩ/500VDC at 25°C / 70% RH		
	Safety standard	UL 62368-1 2 <sup>nd</sup> , CSA C22.2 No. 62368-1-14 2 <sup>nd</sup> , IEC 60950-1:2005(Second .Edition)+Am 1:2009+Am 2:2013, IEC 62368-1:2014(Second Edition)		
EMC	EMI	EN 55032 CLASS B · FCC CFR 47 PART 15 CLASS B Compliance to EN61000-3-2 CLASS A (Rated 80% load), EN61000-3-3		
	EMS	EN 55024 : EN 61000-4-2,3,4,5,6,8,11		
OTHERS	Cooling	<70% load free air convection, a 10CFM (min.) DC FAN is required when output exceed 70% load		
	M.T.B.F.	343.5 K hours		
	Dimension	133.4 x 82 x 38 mm (L*W*H)		
	Packing	N.W.: 0.338 Kg / 1pc; 30 pcs / 1.2 CUFT / 1 CTN		
NOTE	① All measurements which not mentioned are based on 230VAC input, <b>output Max</b> at ambient 25°C / 70%RH ② Output tolerance included set up voltage, line regulation and load regulation. ③ Ripple & noise are measured at 100~254VAC input with 10~50°C condition and 20MHz of bandwidth by using a 10" ~ 15" twisted pair-wire terminated with a 0.1uF & a 47uF parallel capacitor. ④ The operating temperature shall follow the de-rating curve in spec The output load may be requested for decreasing as de-rating curve in spec when low input voltage is under 100VAC. ⑤ The power supply is considered a component of end-equipment. The end-equipment must be re-confirmed whether comply with EMC directives.			



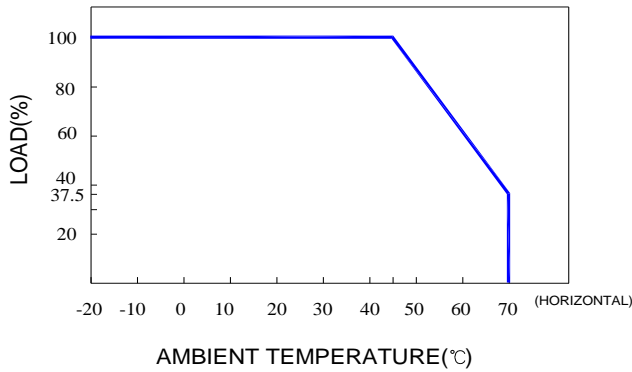
**SUNPOWER TECHNOLOGY CORP.**  
 16F-1, No.150, Jian 1st Rd., Zhonghe Dist., New Taipei City 235, Taiwan (R.O.C.)  
 TEL: 886-2-8226-3100 FAX: 886-2-8226-3111  
 http://www.sunpower.com.tw  
 E-mail: sunpower@sunpower.com.tw

# SRU-150-xx Series

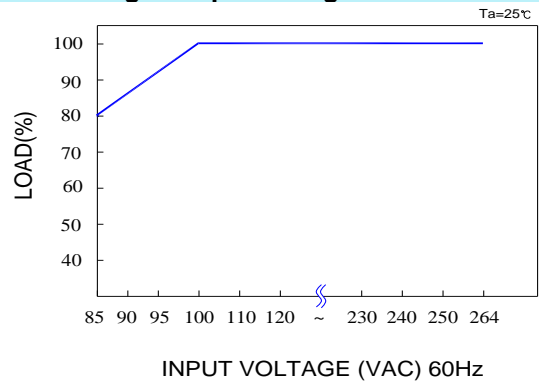
## Block Diagram : US1-1



## De-rating Curve : E2

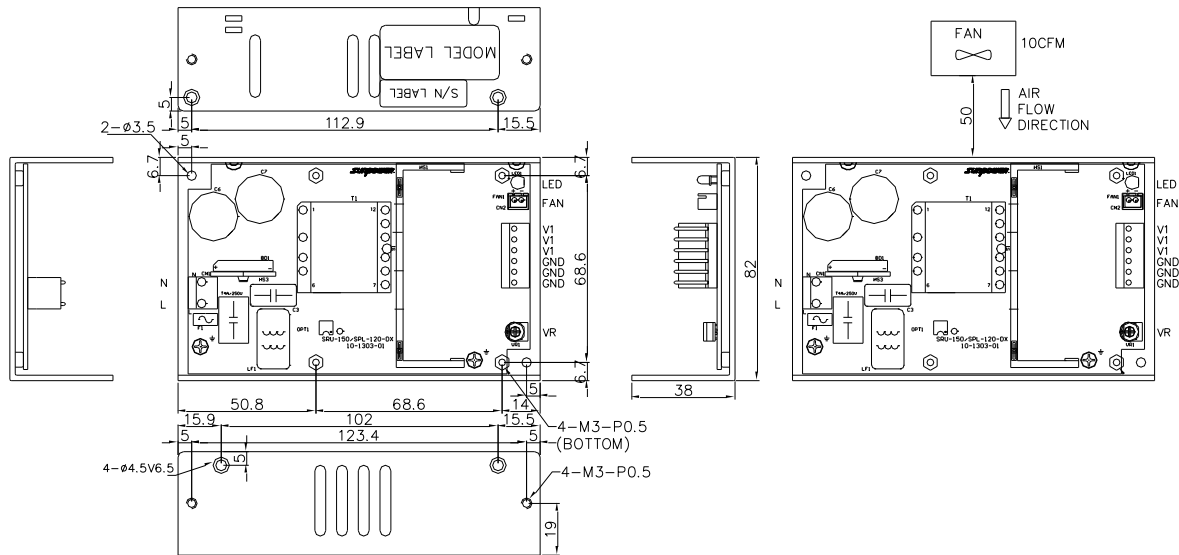


## Output De-rating Vs Input Voltage :



## Dimension:

(Unit: mm)



### NOTES:

TERMINAL BLOCK : I/P : CN1, 3P P=3.96mm( Pin 2 CUT), JST B3P-VH or COMPATIBLE

MODEL No.	1	2	3
SRU-150-xx	N	N/C	L

TERMINAL BLOCK : O/P : CN2, 6P, P=3.96mm, JST B8P-VH or COMPATIBLE

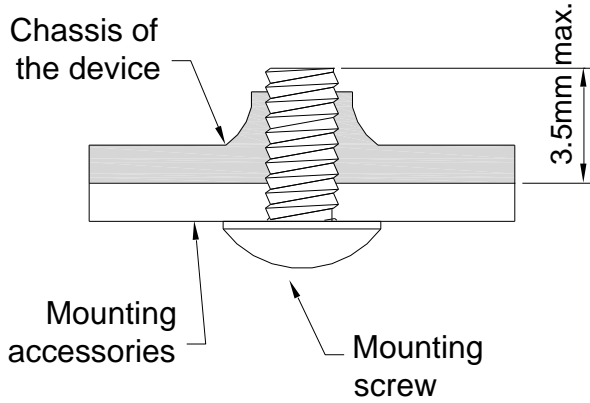
MODEL No.	1	2	3	4	5	6
SRU-150-xx	V1	V1	V1	GND	GND	GND



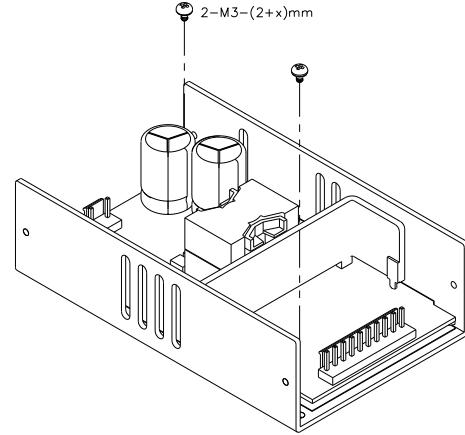
SUNPOWER TECHNOLOGY CORP.  
16F-1, No.150, Jian 1st Rd., Zhonghe Dist., New Taipei City 235, Taiwan (R.O.C.)  
TEL: 886-2-8226-3100 FAX: 886-2-8226-3111  
<http://www.sunpower.com.tw>  
E-mail: [sunpower@sunpower.com.tw](mailto:sunpower@sunpower.com.tw)

# SRU-150-xx Series

## Installation of Mounting Accessories



This is to keep a safe distance between the screw and internal components



Quick installation diagram